

" 8/ UHFRJQLWLRQ ILOH ( )  
 " 8QLYHUVDO ZÖVQMSJRIQQDLOUH ZUDS  
 DURXQG RU 3&% PRXQWLQJ  
 " \*ODVV SDVVLYDWHG FKLS MXQFWLRQ  
 "+LJK VXUJH FXUUHQW FDSDELOLW\  
 "/RZ WKHUPDO UHVLVWDQFH  
 " 6ROGHU GLS y & SHUJ - (6' %

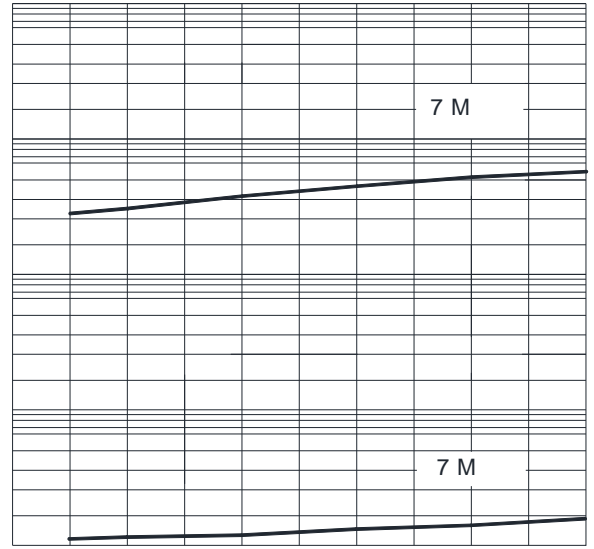
\*HQHUDO SXUSR VH XGJH UHQG ZD YHWHFWLIL  
 SRZHU VXSSO\ KRIH DISFOH DQFKLSPHQW LQ  
 DXWRPDWLRQ DSSOLFDWLRQV

" .%3&. %3& :  
 0ROGLQJ FRPSRQVG PHHWDPPDELOLW\  
 UDWLQJ 5R+6 FRPSOLDQW  
 " 7LQ SODWHG OHDGV VROGHUDEOH S  
 - 67' DQG -(6' %  
 " 6XIIIL[ OHWWHU 3LFDGHHZLWR DQG V H J  
 .%3& :

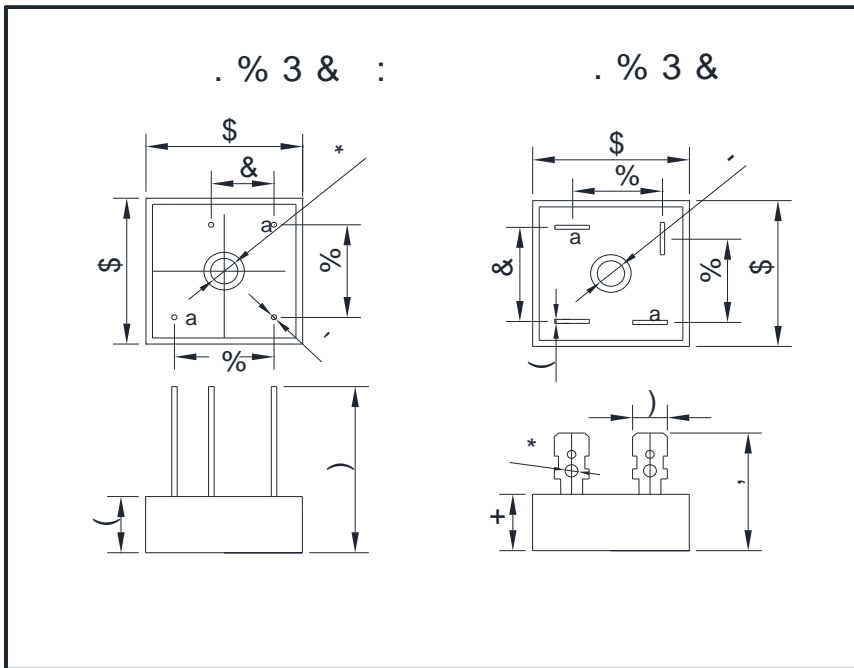
V D 8QOHVV RWKHU ALVH VSHFLILHG

			.%3&	.%3&	.%3&	.%3&	.%3&	.%3&	.%3&
'HYLFH PDUNLQJ FRGH			.%3&	.%3&	.%3&	.%3&	.%3&	.%3&	.%3&
OD[LPXP 5HSHWLWLYH 3HDN 550YHUVH 9ROWDJ									
OD[LPXP 506 9ROWDJH	9506	9							
OD[LPXP ' & EORFNLQJ 9ROWDJH	9506	9							
\$YHUDJH UHFWLILHG RXWSXW FXUUHQW # +] VLQH ZDYH F5 GRDG 7'2									
)RUZDUG 6XUJH & XUHQW 1RQ UHSHWLWLYH # PV +DOI VLQH ZDYH F\FOH 7M									
)RUZDUG 6XUJH & XUHQW 1RQ UHSHWLWLYH # PV VTXDUH ZDYH - F\FOH 7M									
& XUHQW VTXDUHG WLPH # PV "W" PV 7M5DWLQJ RI SHU \$6 GLRGH									
6WRUDJH WHPHUDWXUH	7VWJ	-						a	
-XQFWLRQ WHPHUDWXUH	7M	-						a	
'LHOHFWULF VWUHQJWK # 7HUPLQDOV WR FDVH \$ & 9G PLQXWH									
ORXQWLQJ WRUTXH # 5HFRPPHQG ÖVWUTXH	7RU	NJ	FP						





v



\$		
%		
&		
'		
(		
)		
*		

\$		
%		
&		
'		
(		
)		
*		
+		
,		
-		

